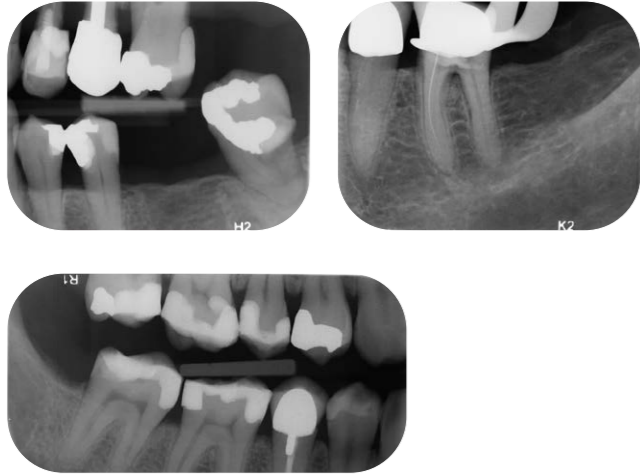


**DEXIS Scan eXam™ One**  
**Fast and reliable digital intraoral imaging**



## Dental Excellence for every dental practice

Scanning resolution 17 lp/mm. Image bit depth 16 bit.



Optional: Occlusal 4C image.



## Advanced intraoral diagnostics

### One solution for all needs

Advanced digital image processing provides consistent images time after time. Excellent image quality can already be achieved using factory configurations that can still be adjusted easily according to the dentist's diagnostic preferences.

### The perfect One for all intraoral purposes

✓ EXCELLENT IMAGE QUALITY

✓ COVERS A WIDE RANGE OF YOUR DIAGNOSTIC NEEDS

✓ SUPPORTS OCCLUSAL 4C IMAGE FORMAT

✓ DELIVERS CONSISTENTLY HIGH QUALITY RESULTS



## Speed up your digitalisation

### Superb results in an instant

Clear and sharp DEXIS Scan eXam One intraoral images reproduce grey-levels accurately to show the required diagnostic information even in the smallest details. Just insert the imaging plate.



As easy and comfortable as film for the patient.



Easy front-side operation – minimum space requirements.

### One matching your needs

Multiple imaging plate sizes are available for DEXIS Scan eXam One can be used in all bitewing, periapical and occlusal X-rays. The plates are as easy and flexible to use as film and are particularly suitable for pediatric patients.

#### Size 0

22 x 31 mm  
734 x 1034 Pixel  
1.08 MB

#### Size 1

24 x 40 mm  
800 x 1334 Pixel  
1.53 MB

#### Size 2

31 x 41 mm  
1034 x 1368 Pixel  
2.03 MB

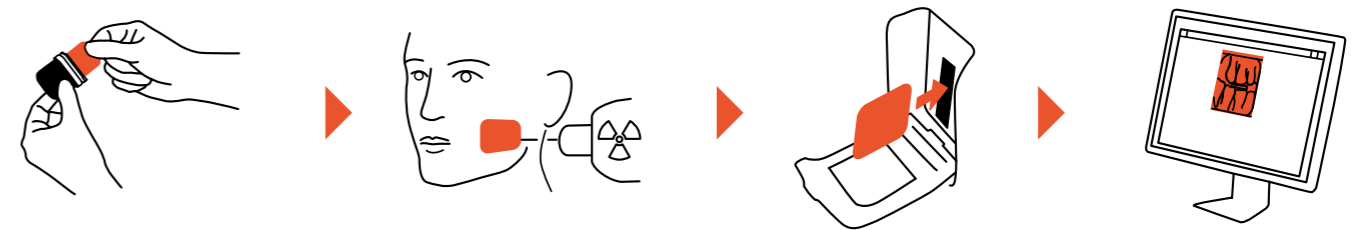
#### Size 3

27 x 54 mm  
900 x 1800 Pixel  
2.32. MB



## Your workflow

### As easy to position as film



### Fast and easy workflow

The re-useable imaging plates of the DEXIS Scan eXam One system provide an easy-to-learn and comfortable workflow. The entire process from reading the image to display on screen takes only seconds. The system can be operated in a normal daylight environment, no chemicals needed.

### Safe workflow

DEXIS Scan eXam One provides additional workflow security by showing the patient name and user ID on its display. The iDOT™ tracking system on the imaging plates helps trace the one used for an individual X-ray image. Damaged plates can be identified and replaced easily.



## One solution for individuals and multiple users

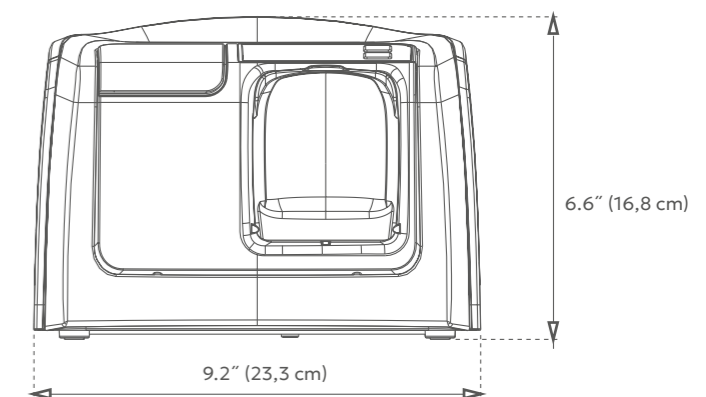
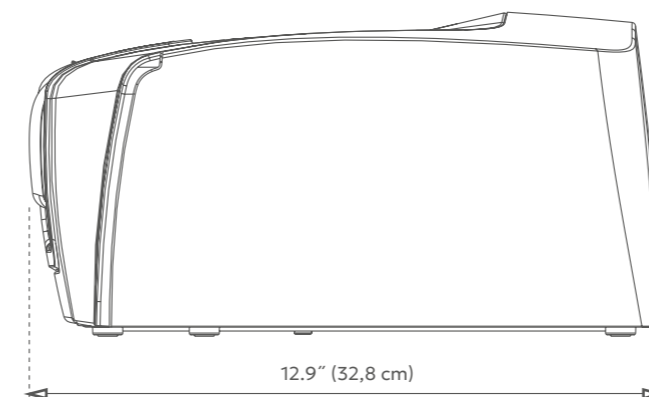
Chairside or shared use  
Attractive design



## Technical specifications

Technology	Reusable imaging plate (Photo Stimulable Phosphor plate)
Pixel size	30 $\mu$ m / 60 $\mu$ m, selectable
Scanning resolution	17 lp/mm
Image bit depth	16 bit
Connection	Standard network connection (Ethernet RJ45), DHCP
Dimensions	168 mm x 233 mm x 328 mm
Weight	4 kg (8 lbs)
Operating voltage	100-240 VAC, 50/60 Hz
Operating system	Windows 7, Windows 8.1 or Windows 10

## Dimensions



# Transforming Practices and Patient Smiles

**Designed with ease-of-use for all clinicians in mind, DEXIS now offers dependable and consistent imaging solutions that provide vital information to support accurate diagnosis and predictable treatment planning.**



**The products, equipment and services illustrated and described in this brochure reflect knowledge at the time of printing. Full or partial reprinting is only permitted with permission from Dental Imaging Technologies Corporation. For more information, please visit: [DEXIS.com](http://DEXIS.com). Dental Imaging Technologies Corporation reserves the right to make changes to specifications and features shown herein, or to discontinue the product described at any time without notice or obligation. Contact your local authorized representative for the most current information.**

© Dental Imaging Technologies Corporation. DEXIS is a trademark or registered trademark of Dental Imaging Technologies Corporation in the United States and/or other countries. Scan eXam One is trademark or registered trademark of PaloDEx Group Oy in the United States and/or other countries. All Rights Reserved. 2025. DXIS01151\_Rev00



PaloDEx Group Oy

Scan eXam™ One



0537