

miglionico

DENTAL EQUIPMENT





**A CONCENTRATE OF TECHNOLOGY
FOR HIGH-LEVEL PERFORMANCE**

Touch Display

COMPLETE CONTROL, INTUITIVE USE

Dentist's console



The dentist's console ensures total comfort and ease of movement thanks to smooth movements and reduced dimensions. The handpieces in

the top delivery version lay on an autoclavable silicone mat, whereas in the hanging hoses version, they are placed in removable and autoclavable instrument housings.



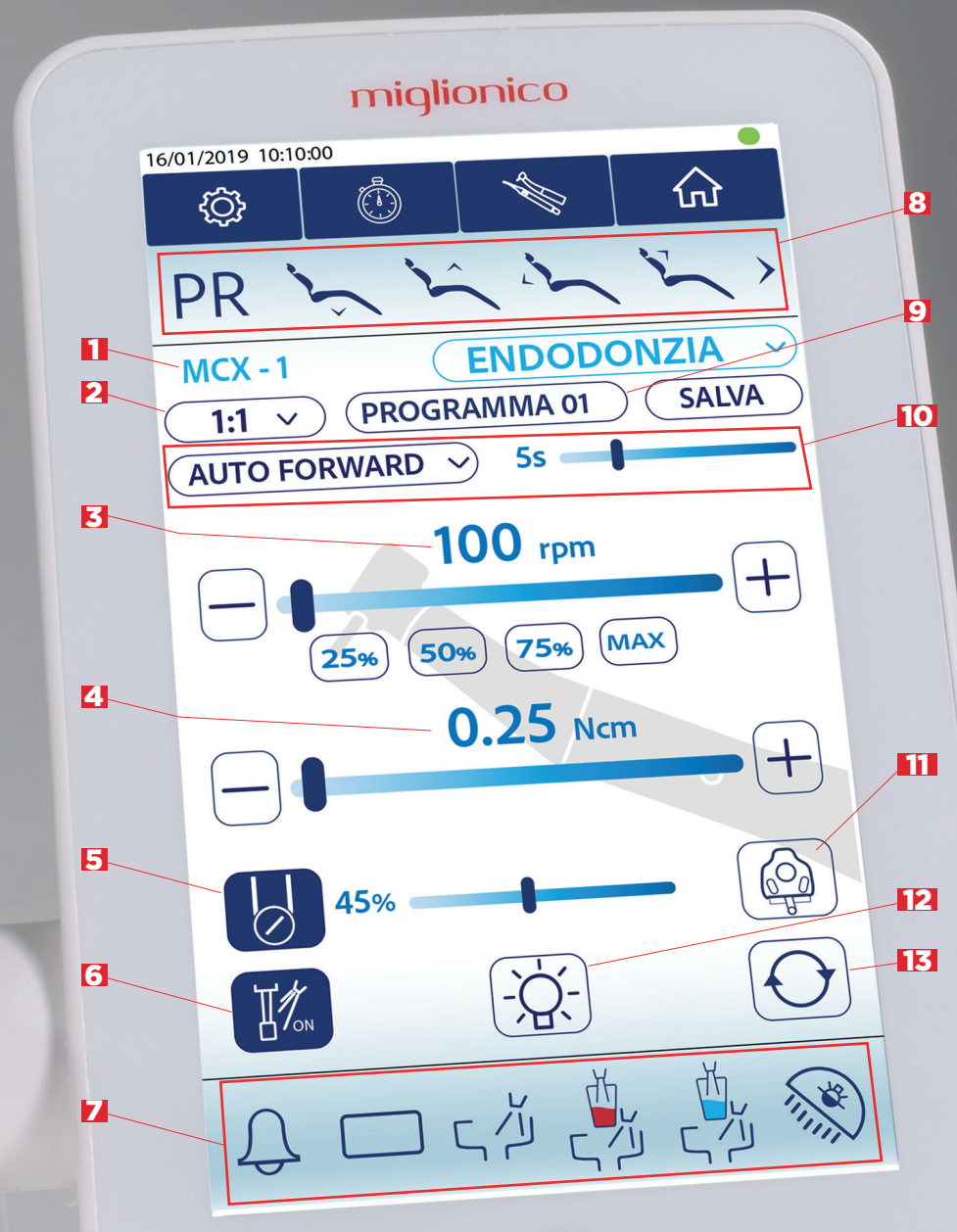
INNOVATIVE, INTUITIVE AND FUNCTIONAL, it guarantees optimal function management thanks to the countless customization possibilities.

The large 7" glass color screen simplifies the adjustment of all parameters and movements, thus optimizing operating times and safety.

Assistant's console

The assistant's console offers super easy handling thanks to its design with clear lines and ergonomic handle. It is installed on a double-jointed arm; it is resistant and it features a capacitive touch display. The console is predisposed for two surgical suction cannulas and two additional instruments.





SETTINGS
This menu allows you to set customized parameters for up to 5 user profiles and to set timers for different functions.



COUNTDOWN
The COUNTDOWN screen allows you to set a countdown timer.



SCALER
The SCALER screen allows you to:
- operate using the Endo, Scaling or Perio mode;
- manage the peristaltic pump flow;
- activate the proportional mode.

- | | | |
|---|---|--|
| <ol style="list-style-type: none"> 1. INSTRUMENT 2. HANDPIECE RATIO 3. MICROMOTOR RPM 4. TORQUE VALUE 5. PERISTALTIC PUMP 6. SPRAY ON / OFF | <ol style="list-style-type: none"> 7. BASIC FUNCTIONS <ul style="list-style-type: none"> • Assistant call /door opener • X-ray viewer • Cuspidor flush • Warm water cup filler and cuspidor flush activation • Cold water cup filler and cuspidor flush activation • Operating light ON/OFF | <ol style="list-style-type: none"> 8. MEMORIZED POSITIONS 9. SETTINGS MENU 10. AUTO FORWARD - AUTO REVERSE 11. CRUISE CONTROL 12. OPTICAL FIBER 13. MICROMOTOR ROTATION REVERSAL |
|---|---|--|



RESTORATIVE - ENDO - SURGERY
The basic version of the MCX Bien Air micromotor features conservative and endodontic functions. The surgery module with

the MX2 Bien Air micromotor and peristaltic pump can perform surgical, endodontic, and conservative treatments. The MX2 has an adjustable torque that goes from 0,3 Ncm up to more than 70 Ncm

according to the chosen handpiece. The cruise control function, exclusively customized for Miglionico, allows you to operate without keeping your foot on the foot control lever.

Hygiene



MDS SYSTEM

Systems for the decontamination of hydro circuits with the WK liquid by Metasys.

MDS, the system continuously mixes the WK liquid with mains water or water coming from the bottle, preventing the formation of limescale and biofilm with consequent reduction of bacterial load. Moreover, it contributes to the correct functioning of the spray function of the instruments.

MDS+, this system can be activated from the dentist's control panel. After positioning the handpieces inside the dedicated autoclavable housing, you can start the intensive disinfection cycle from the control panel. If the intensive disinfection cycle is not selected, the MDS+ system will work with the same basic mode as the MDS system.



Inside the hydro case, it is possible to install:

ASB SYSTEM

2 Lt bottle for the independent water supply to the instruments of the dentist's console. A bypass valve allows you to select the water type between mains water or water supplied by the bottle.



REMOVABLE AND AUTOCLAVABLE DENTIST'S CONSOLE HANDLE

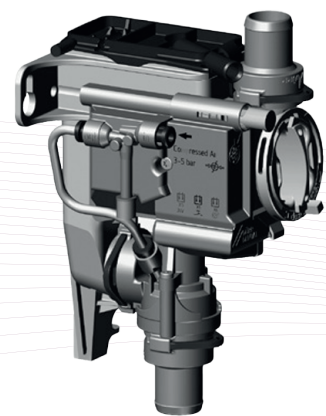


SURGICAL SUCTION FILTERS FOR EACH HOSE

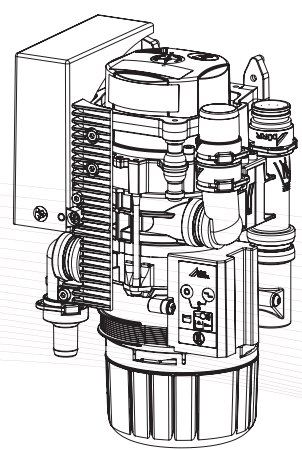


REMOVABLE AND STERILIZABLE CUSPIDOR

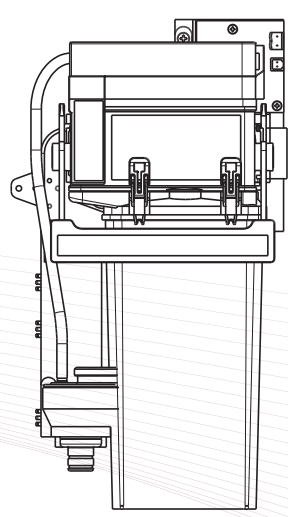
In-built suction systems



CUSPIDOR DRAIN VALVE



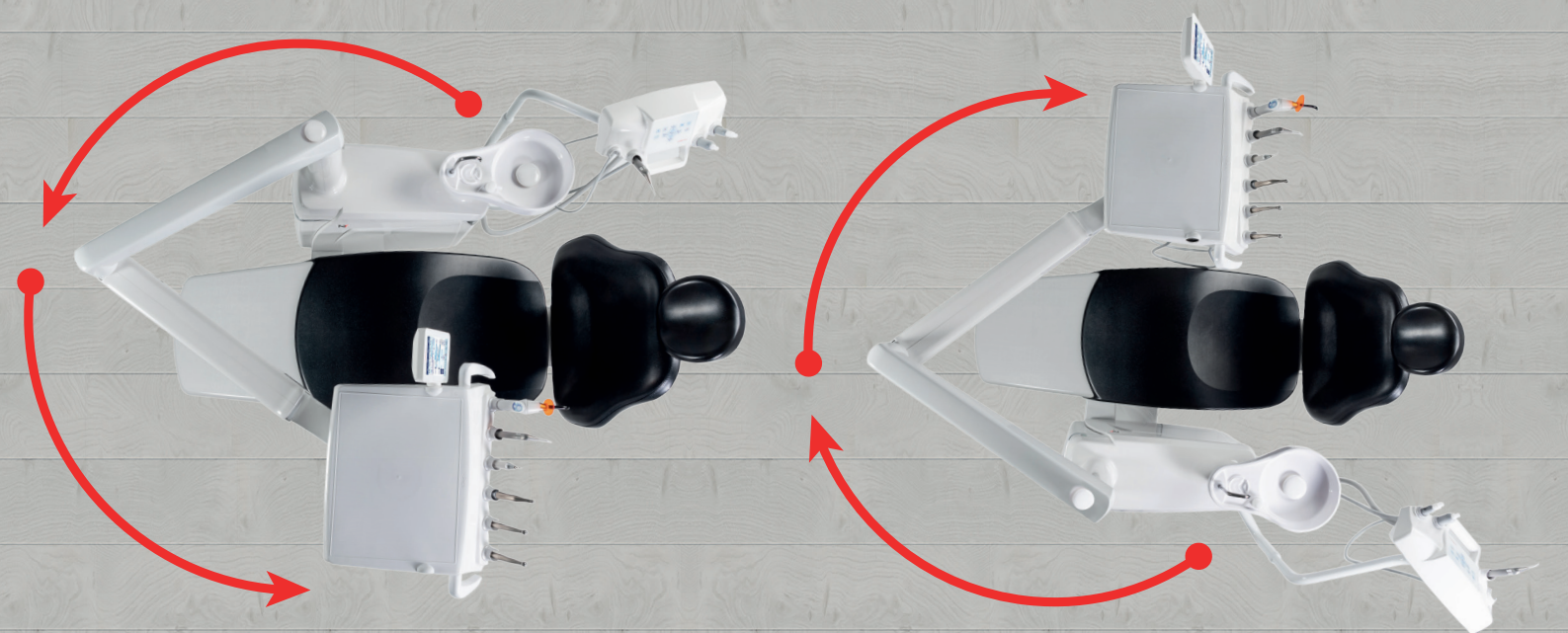
AMALGAM SEPARATOR



AIR/WATER SEPARATOR

Standard predisposition for wet suction systems. Availability of in-built systems into the dental unit in case of dry suction systems and of devices to comply with the law in force on the amalgam disposal.

NT ambidextrous version



Surgery version with cart



Chair

The chair is designed to offer comfort and good working ergonomics. It is covered in skai medical leather for easy sanitization. The synchronized movement of the backrest and the seat ensures optimal and prevents the sliding effect. The anatomic backrest, with lumbar support, is available in 2 versions: standard for all working ergonomics and wide in memory foam for surgery or greater comfort of the patient, ideal for long-lasting treatments.



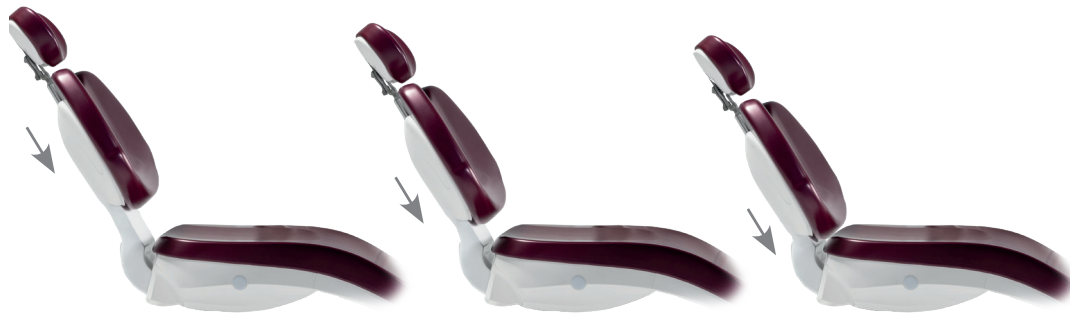
STANDARD BACKREST



XL MEMORY FOAM BACKREST

Adjustable backrest

As an option, the backrest with motorized vertical excursion is also available, which can be managed from the control panel to ensure the correct positioning of the patient's head on the headrest, whether **pediatric** or **adult**.



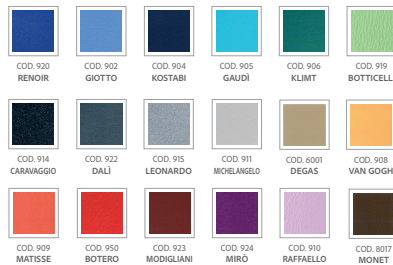
TALL

MEDIUM

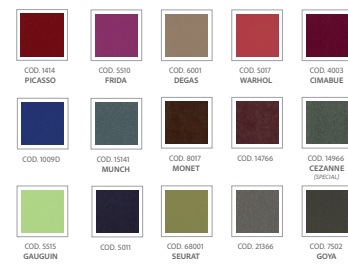
SHORT

Colours

STANDARD COLOURS



SPECIAL COLOURS



Foot controls

The foot control is solid and well-balanced with a steel base to ensure stability while working. It is equipped with a retractable handle which makes it easy to move. It is available in the standard or push version, both with cable or wireless.



SCAN THE QR CODE
TO VIEW OUR
CATALOGUE



Miglionico S.r.l.

Via Molise, Lotti 67/68 Z.I.

70021 - Acquaviva delle Fonti (BA) ITALY

P. Iva: 05306940726

Tel +39 080 759552

www.miglionico.eu



Global Export

General Information:

export@miglionico.net

Technical Support:

service@miglionico.net

Logistics Department:

logistic@miglionico.net

For any other issue:

info@miglionico.net



Language