

Micro Smart

User Guide 2017



Micro Smart Dental Surgery User Instructions

Vacuum levels are programmable from 70 to 210 mbar.

The centrifugal separator starts first and stops last, time delays are variable for protection of vacuum motor.

Variable speed inverter vacuum source.



Micro Smart Dental Surgery User Instructions

The Cattani Micro Smart is a variable speed dental vacuum pump and has many more features and options than your previous suction unit.

Please carefully read the following.

- Only use a proprietary brand of cleaner such as Puli Jet Classic or Puli Jet plus. Please ensure the correct dilution instructions are followed.

Clean the yellow debris filter daily, always use a silicon lubricant on the 'O'ring when re-assembling.

DO NOT CLEAN OR CHANGE THE AMALGAM CONTAINER DAILY

Only change or clean the amalgam container when the alarm shows and the code (Code I14 or Code I15) on the display.

Leave the cleaning/exchange to the end of the day.

The system will operate safely for the rest of the day without problem.



Micro Smart Debris filter

The debris filter should be removed and cleaned **AT LEAST** once a week.

When re-installing this filter, make sure you lubricate the 'O' Ring.

This should be done with a silicone based lubricant (Lubri Drop 040726)



Micro Smart Amalgam container error code



Micro Smart

How to remove and replace the amalgam container

It is possible to clean and reuse the amalgam containers but ensure the sensor groove is cleaned of any dirt or residue. All contents of the amalgam container should be placed in their correct storage for reclamation.

- Check the key pad when changing the filter, immediately report any fault code that occurs.

We suggest these settings are used for the following procedures:

Hygienists	Programme 1
Conservation	Programme 2
Surgical and implant	Programme 3

This will ensure the safest use and minimal noise and power consumption levels during operation.

The unit will always default to programme 3 when switched off at night.



Micro Smart Changing the vacuum level



To change the vacuum level, simply press the programme button you wish to use.

Programme 3 (Default)
Surgical and Implants

Programme 2
Conservation

Programme 1
Hygienist

Micro Smart

Amalgam container replacement (043132)

The warning for replacement of the amalgam container is visual only on the display.

This should be checked daily when the debris filter 201547 is cleaned. A bell symbol will appear and either error code I14 or I15.



Before replacing the amalgam container it is advisable to clean the system in the evening and change the container in the morning.

The system and the water in the amalgam container will be disinfected.

- 1) Always wear protective gloves, face mask and eye protection before removing the container.
- 2) Turn off the Micro-Smart with the main on-off switch while carrying out this process.
- 3) A new waste amalgam container should always be used, emptying of the existing container is not recommended.
All amalgam must be disposed of correctly.

Micro Smart

Amalgam container replacement (043132)

Before replacing the amalgam container it is advisable to clean the system in the evening and change the container in the morning. The system and the water in the amalgam container will be disinfected.

- 1) Always wear protective gloves, face mask and eye protection before removing the container.
- 2) Turn off the Micro Smart with the main on-off switch.
- 3) Unwind the bracket using the handle – clockwise until it stops.
- 4) Gently slide the container off the bracket.
- 5) Remove the container and place on a flat surface.
- 6) Top up the container with Puli Jet Plus*.
- 7) Secure the lid to the container and close the lid vent.
- 8) Clean around the container seat with a tissue and lubricate with Lubri Jet.
- 9) Align the slot in the container with the disc, slide the container back onto the bracket.
- 10) Wind the handle anti clockwise until the container stops (ensure the container is seated correctly onto the O-ring)
- 11) Turn the Micro Smart on, it is now ready for use.

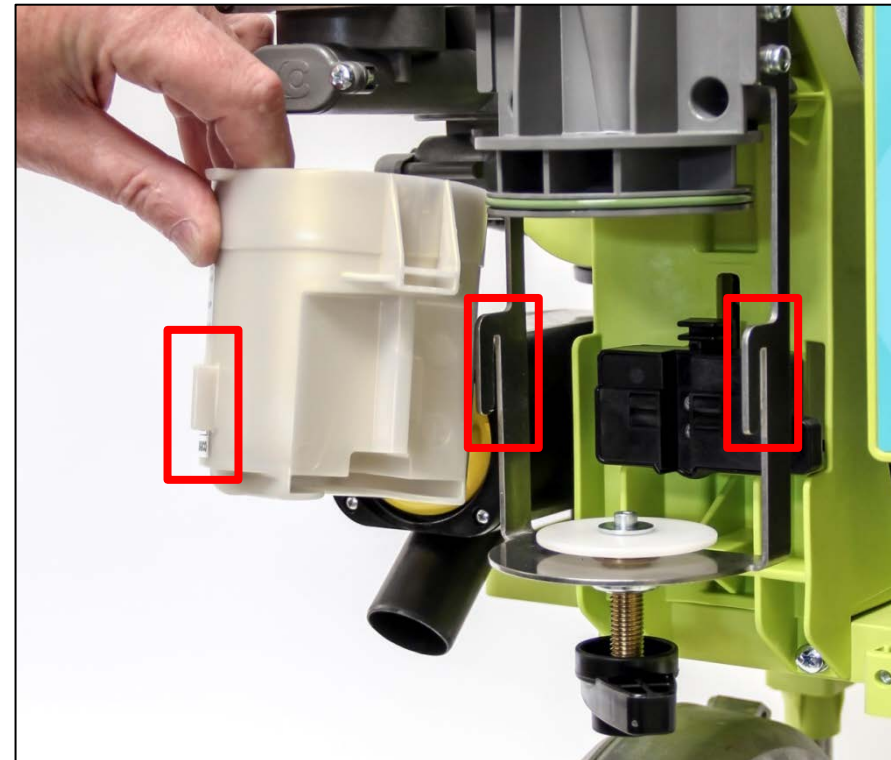
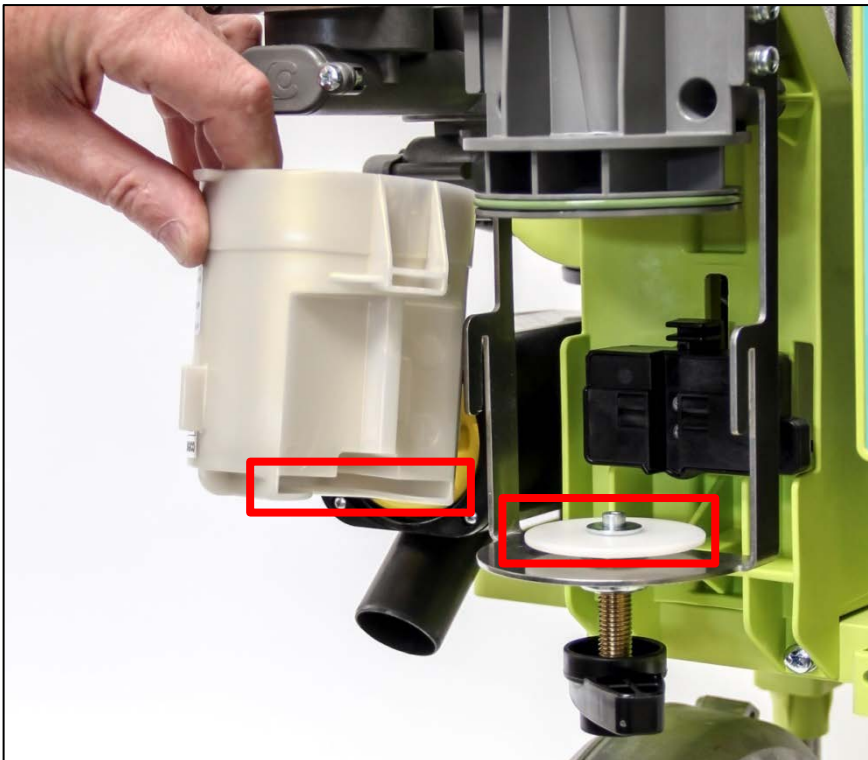
A new waste amalgam container should always be used, emptying of the existing container is not recommended.
All amalgam must be disposed of correctly .

Micro Smart Amalgam container replacement (043132)

You **MUST** make sure:

1) The disc is inserted into the slot.

2) The lugs are aligned within the bracket.



Micro Smart Magnolia Cleaning Consumables



Micro Smart Daily Cleaning

It is important to wear eye, mouth and hand protection before starting cleaning, follow the manufacturers safety procedures as instructed.

- Clean the system using the 'Pulse Cleaner' (040720) provided, by adding 1 x 10ml measure from the dispenser of Puli Jet Plus (060900). When using Puli Jet Classic (070715) use 50ml into the Pulse Cleaner and top up with warm water (50°C+) to the third mark on inside of Pulse Cleaner.
- With the unit switched on, place the Pulse Cleaner on a solid surface and firmly connect the large and small tubes with the sliders open onto the pulse cleaner. This will start the cleaning process. When the liquid is completely aspirated remove the tips and replace.
- The residual cleaner should be poured down the spittoon to clean the spittoon valve. It is important to use warm freshly mixed cleaner for total cleaning and breaking down of Bio-film.

Please Note: No other chemicals or waste liquids should be disposed of into the spittoon. This can cause failure of the suction pump due to foaming or the corrosive nature of the liquids.

Do not rinse the aspirator or spittoon after cleaning, as Puli Jet will carry on disinfecting over night.

- Remove the filter from the side of the tip support, tip out any debris and clean in an ultra-sonic cleaner. Clean around the threads of the body and cap with a tissue removing any residual amalgam dust. Replace filter and cap.
- **Surgical procedures**, the use of Anti-foaming Tablets with disinfectant (040825), this reduces foaming and constantly doses the system with a sanitising agent.
- Strip down and clean the tip support terminals, spray with Lubri Jet on re-assembly, terminals may be autoclaved at 134°C.

Micro Smart Puli Jet Plus

PULI-JET PLUS INSTRUCTIONS FOR USE FOR CLEANING AND DISINFECTING

Puli-Jet Plus is a non-foaming concentrate for disinfecting and simultaneous deodorization, cleaning and maintenance of dental aspirators and amalgam separators (wet, semi-wet & dry systems) and does not contain aldehydes and phenol.

1 litre of Puli-jet Plus makes up to 125 litres of disinfectant or 250 litres of cleaner.

Please always refer to the manufacturers instructions when using Puli-Jet Plus

1. Unscrew red cap slightly.
2. Squeeze bottle to distribute liquid to top container.

3. To mix, fill the 'Pulse Cleaner Bucket' with warm water (approx temp 50°C) up to the third marker, then pour the Puli-Jet Plus into the 'Pulse Cleaner bucket'.



General Cleaning: We recommend that you cleanse the aspiration system every evening, at the end of work. For this mix 10ml of Puli-Jet Plus with 2.5 litres of warm water.

Disinfecting: We recommend to disinfect the aspiration system once a week with a higher concentrate of Puli-Jet Plus. For this mix 20ml of Puli-Jet with 2.5 litres of warm water.



SMART THINKING, THE WAY WE INNOVATE.

WE HAVE BEEN SPECIALISING WITH AIR TECHNOLOGY
FOR MORE THAN 40 YEARS:
SPECIALIZATION HAS GIVEN EXCELLENT RESULTS.

HOW IS IT WE LEAD IN OUR FIELD, WHEN WE COST LESS THAN THE ALTERNATIVES? THIS IS HOW:

Constant research: this enables us to apply the latest technology to all of our products and solutions.

We enhance performance: electronic and information technology enable us to enhance the performance and reliability of our products.

We reduce costs: less maintenance and lower energy costs mean that we are always the most economical on a cost-benefit analysis.

We reduce environmental impact: we save 50% on raw materials, so that you can save between 30% and 50% on electrical consumption.